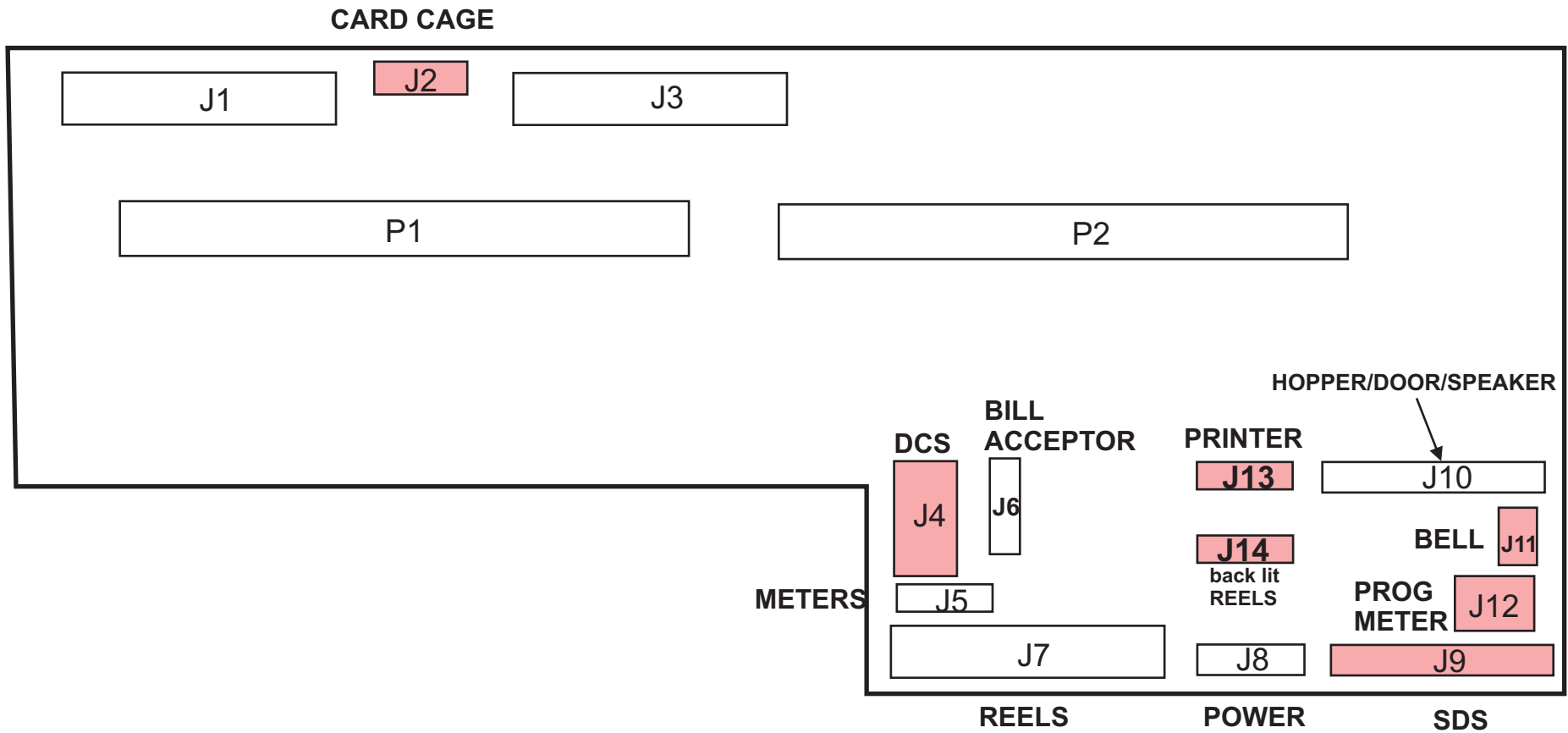


# S-PLUS MOTHER BOARD



PINK = NOT NEEDED

PINK + WHITE = MAY BE NEEDED